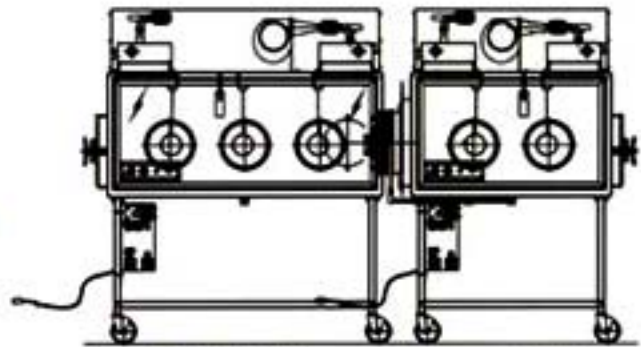
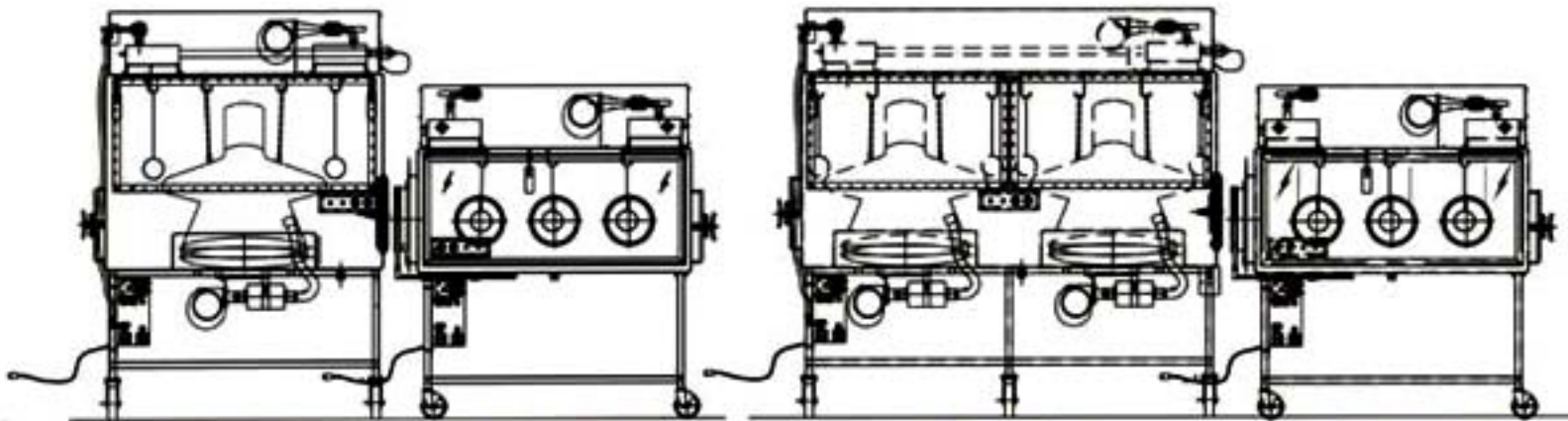


Typical Sterility Testing Isolator Configurations



Testing isolator
with three gloves

Transport isolator
with two gloves

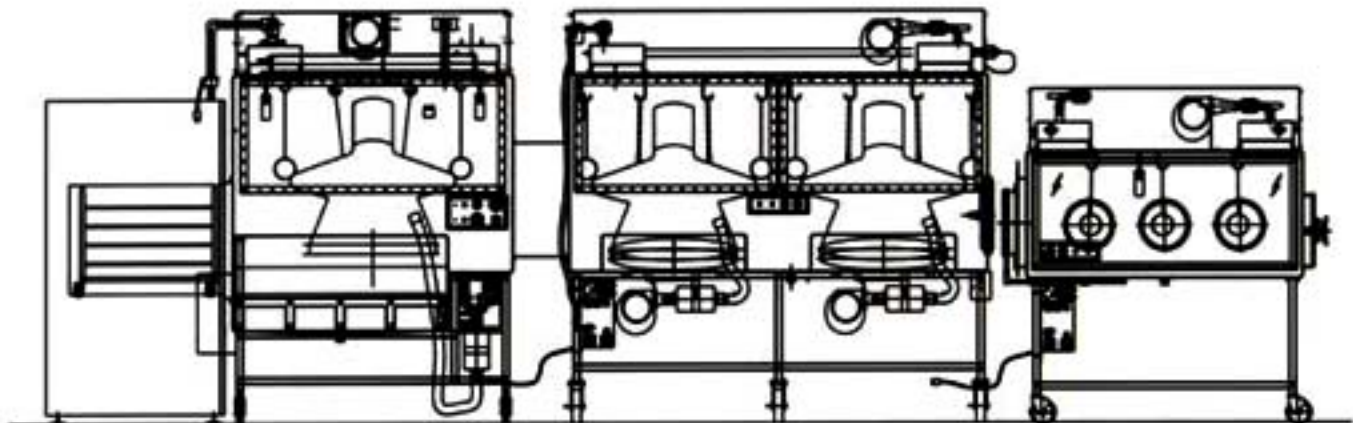


Testing isolator
with half-suit

Transport isolator
with three gloves

Testing isolator
with two half-suits

Transport isolator
with three gloves



Autoclave interface
isolator with half-suit

Testing isolator with
two half suits

Transport isolator
with three gloves

CARLISLE Barrier
Systems

618 State Street, New Lisbon, WI 53950
 TEL: 800-356-5734 • 608-562-3151
 FAX: 608-562-5956
 E-mail: mkolba@walker.carlisle.com
www.barriersys.com